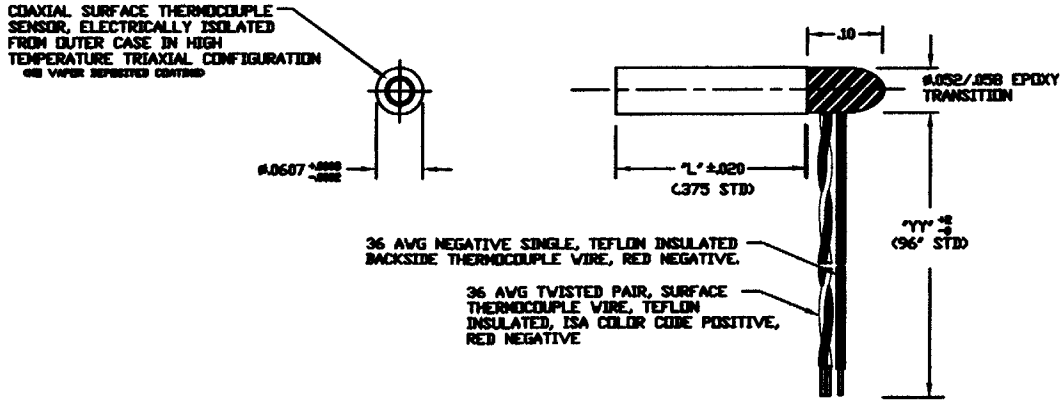
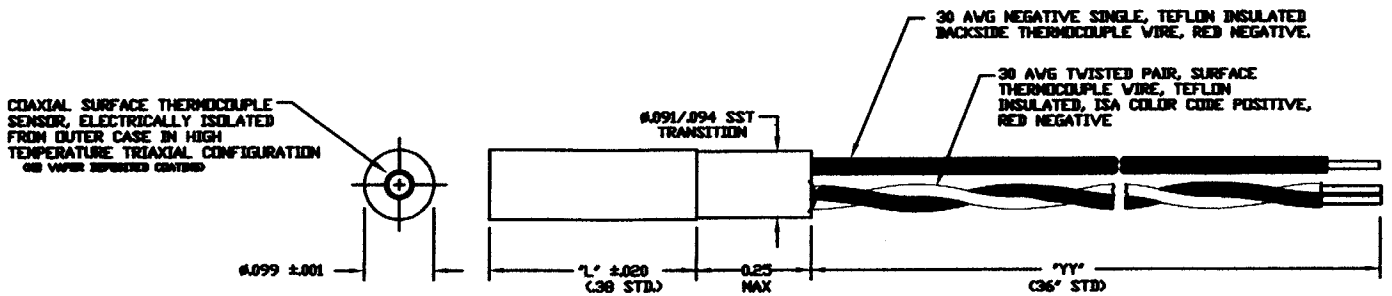


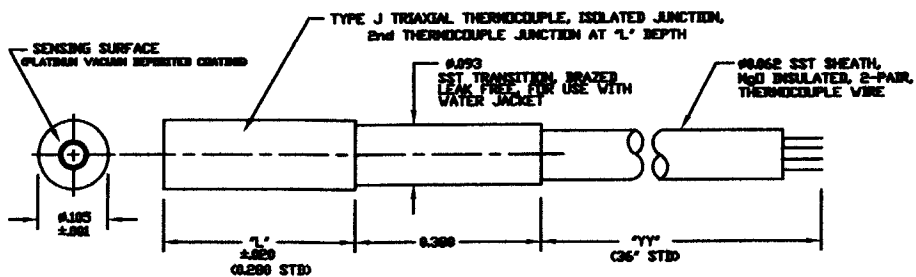
TCS-061-MMU-L-YY-10761A



TCS-061-MMU-L-YY-11229



TCS-099-MMU-L-YY-11237



TCS-.105-JJU-L-PT-YY-10976

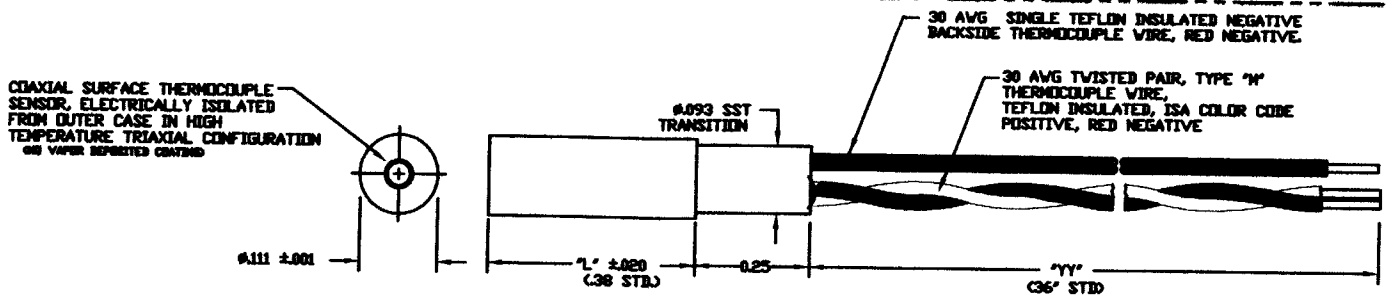
"M"	THERMOCOUPLE MATERIAL
K	CHROMEL / ALUMEL
T	COPPER / CONSTANTAN
J	IRON / CONSTANTAN
E	CHROMEL / CONSTANTAN
S	Pt10Rh / Pt (0.015 or 0.031)
FcNi	IRON / NICKEL

(OTHERS AVAILABLE)

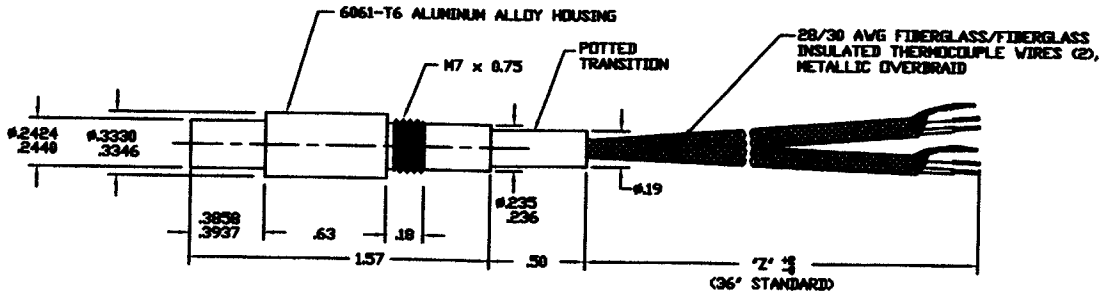


有限会社テクノオフィス

〒225-0011
 神奈川県横浜市青葉区あざみ野3-20-8-B
 TEL.045-901-9861 FAX.045-901-9522
 URL: <http://www.techno-office.com>



TCS-111-MMU-L-YY-10732



TCS-244-AL-JU(JU-.156)-Z-11443

"M"	THERMOCOUPLE MATERIAL
K	CHROMEL/ALUMEL
T	COPPER/CONSTANTAN
J	IRON/CONSTANTAN
E	CHROMEL/CONSTANTAN
S	PT10RH/PT (0.015 or 0.031)
FcNi	IRON/NICKEL

(OTHERS AVAILABLE)



有限会社テクノオフィス

〒225-0011
 神奈川県横浜市青葉区あざみ野3-20-8-B
 TEL.045-901-9861 FAX.045-901-9522
 URL: <http://www.techno-office.com>