



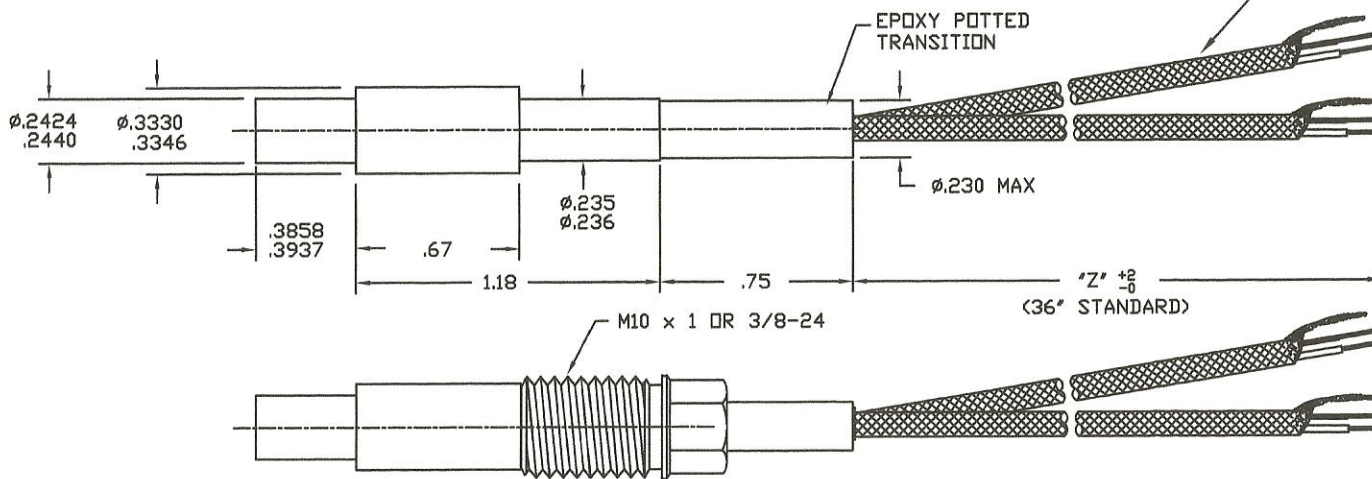
有限会社テクノオフィス

〒225-0011

神奈川県横浜市青葉区あざみ野3-20-8

TEL.045-901-9861 FAX.045-901-9522

P/N TCS-244-MU(MU-X)-L-Z-11638 DOES NOT INCLUDE A CLAMP NUT



28/30 AWG FIBERGLASS/FIBERGLASS INSULATED THERMOCOUPLE WIRE, METALLIC OVERBRAID
ONE FOR SURFACE THERMOCOUPLE,
ONE FOR IN-DEPTH THERMOCOUPLE,
ANSI COLOR CODE, RED NEGATIVE

ALSO AVAILABLE WITH CHOICE OF CLAMP NUT AS P/N TCS-244-MU(MU-X)-L-Y-Z-11637

NOTES:

- The TCS-244-MU(MU-X)-L-Z-11638 triaxial surface thermocouple with electrically isolated junction will provide microsecond response time metal wall surface temperature measurements when properly installed flush in metal wall surface. In many cases the surface temperature history may be used to compute fast response heat transfer rates. An additional in-depth thermocouple is provided to allow steady state heat transfer rate computations as well.
- Epoxy potted (500°F max) transition is standard. To specify high temperature ceramic potting material (1000°F) in the transition and fiberglass leadwire, add suffix C to the part number.
- The standard unit can be mounted in existing Kistler 6125A pressure transducer mounting holes using Kistler floating clamp nuts or may be ordered with floating clamp nut as P/N TCS-244-MU(MU-X)-L-Y-Z-11637. Extensions may be used for thicker walls.
- To order specify the following in the Part Number:
 M - The thermocouple material designation
 X - The depth (Inches) of the in-depth second junction (.0156" STD)
 L - The length (Inches) of thermocouple tip (.03898" STD)
 Z - The length (Inches) of flexible leadwire (.36" STD)

Example: An Iron/constantan (J) thermocouple with added in-depth junction at .156" deep, L=.0591", and Z=.72" is
 P/N: TCS-244-JUKJU-.156)-.0591-72-11638

5. See MEDTHERM Bulletin 500 for further descriptive information on MEDTHERM coaxial microsecond response surface thermocouples.

M	THERMOCOUPLE MATERIAL
K	CHROMEL/ALUMEL
T	COPPER/CONSTANTAN
J	IRON/CONSTANTAN
E	CHROMEL/CONSTANTAN
Fe/NI	IRON/NICKEL

(OTHERS AVAILABLE)

UNLESS OTHERWISE SPECIFIED DIMENSIONS ARE IN INCHES TOLERANCES			TRIAXIAL SURFACE THERMOCOUPLE MICROSECOND RESPONSE (WITH SECOND IN-DEPTH THERMOCOUPLE) P/N: TCS-244-MU(MU-X)-L-Z-11638		MEDTHERM CORPORATION	
FRACTIONS ± 1/32	DECIMALS 2PL ± .01 3PL ± .005	ANGLES ± 1°	SCALE:	DES.	DWG SIZE	REV
MATERIAL	NOTED		ORIG. DWG	CHK.	B 11638	
FINISH			CAD DWG 11/4/94	APP. <i>DSJ</i>	SHEET OF	
			DR. <i>GM</i>	POST OFFICE BOX 412 HUNTSVILLE, ALABAMA 35804		