

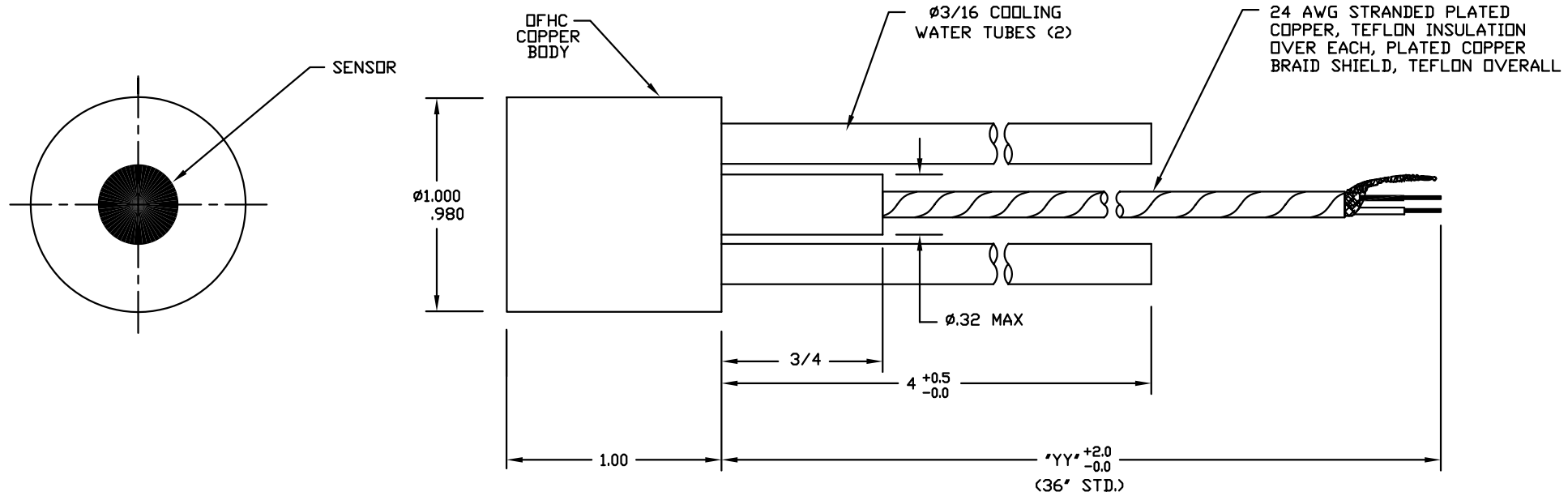


有限会社テクノオフィス

〒225-0011

神奈川県横浜市青葉区あざみ野3-20-8

TEL.045-901-9861 FAX.045-901-9522



NOTES:

1. P/N: 64-XX-YY-18-20053A is a water cooled total (convective plus radiant) heat flux transducer which provides a linear EMF output directly proportional to the net absorbed heat transfer rate to the sensing tip. The standard nominal output is 10 millivolts at the design heat flux level 'XX' in Btu/ft<sup>2</sup>sec. Each unit is supplied with an individual calibration traceable to the National Institute of Standards and Technology.

2. Standard ranges: 0.2, 0.5, 1, 2, 5, 10, 15, 20, 25, 30, 40, 50, 100, 150, 200, 250, 300, 500, 1000, 2000, 2500, 3000, 4000 Btu/ft<sup>2</sup>sec

3. Standard sensor is Schmidt-Boelter thermopile for design heat flux range up to 2 Btu/ft<sup>2</sup>sec and Gardon gage at 5 Btu/ft<sup>2</sup>sec and above. Sensor coated with optical black.

4. Lead wire is 24 AWG stranded plated copper with Teflon insulation over each wire, braid shield, Teflon jacket overall. (White wire positive, Black wire negative). If leadwire length other than the 36' std is desired, substitute the leadwire length in inches for 'YY' in the P/N.

5. The 64-XX-YY-18-20053A is similar to the 64-XX-18, described further in MEDTHERM Bulletin 118, and may be purchased with attachments, view restrictors and other accessories listed in Bulletin 118.

UNLESS OTHERWISE SPECIFIED			HEAT FLUX TRANSDUCER		MEDTHERM CORPORATION	
DIMENSIONS ARE IN INCHES			P/N: 64-XX-YY-18-20053A		POST OFFICE BOX 412 HUNTSVILLE, ALABAMA 35804	
TOLERANCES			SCALE:		DES.	DWG SIZE
FRACTIONS	DECIMALS	ANGLES	ORIG. DWG	9/17/68	CHK.	REV
±1/32	2PL ±.02	±30'	CAD DWG	2/17/97	APP.	B 20053A
MATERIAL			DR. <i>G.P.</i>	APP. <i>DLB</i>	SHEET OF	
NOTED						
FINISH						